



Lympha Press®
by M E G O A F E K

the
Petite Basic System



New!
Now available
in the USA



The Petite Basic System™

Until now sold only in Europe, this internationally acclaimed system is now available in the USA.

Manufactured by the makers of Lympha Press®, the Petite Basic System™ is a sequential pneumatic compression system specially designed for optimal reduction and management of peripheral edema, lymphedema, and ulceration associated with venous insufficiency.

The Petite Basic System™ has **four fully overlapping compression cells** to ensure distal to proximal flow and comfortable compression. Pressure and pause times are easy to adjust.

The Petite Basic System™ garments have a zipper closure for easy wear and are available in a wide range of sizes, with expanders for a temporary increase in circumference.

Indications

- Venous stasis ulcers
- Reduction and management of peripheral edema
- Venous insufficiency
- Lymphedema



the PetiteBasicSystem



The Petite Basic System is designed to give quality treatment at home. Its ease of use encourages patient compliance, while its unique overlapping chamber design provides comfortable and effective treatment.

Features:

- * Fully variable pressure range from 30 to 80 mmHg.
- * Adjustable pause time.
- * Bilateral application when needed.
- * Four fully overlapping compression cells.
- * Color coding to eliminate error.
- * Quiet, safe operation.
- * Lightweight and portable.

Quality you know you can count on

Mego Afek's quality system is certified in accordance with Good Manufacturing Requirements, ISO 13485:2003 and CAN/CSA ISO 13485:2003

The Petite Basic System is approved by the FDA and UL.



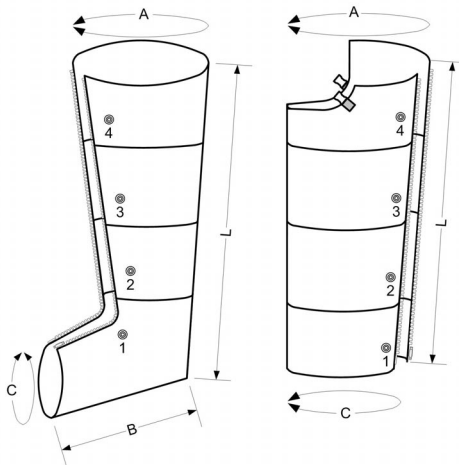
the PetiteBasicSystem

Garments

Measurements in cm

Cat. No.	Name	Size	& Length	Dimensions				Expander Cat. No.	With Expander	
				A	B	C	L		A	C
L41P2250	Leg	S	50cm	56	30	24	50	L415A050	66	34
L41P2275	Leg	S+	75cm	64	30	24	74	L415A075	74	34
L41P2285	Leg	M	85cm	70	30	24	83	L415A085	80	34
L41P2290	Leg	M+	90cm	74	38	29	95	L415A090	84	39
L41P2365	Leg	L	65cm	87	41	35	65	L415A075	97	45
L41P2385	Leg	L+	85cm	90	30	36	87	L415A085	100	46
L41P2390	Leg	XL	90cm	94	41	35	95	L415A090	104	45
L41P1290	Arm	M	90cm	56	--	29	88	L415A085	66	39

A: Upper Circumference **B:** Foot Length **C:** Joint Line **L:** Sleeve length



Pump Specifications

CYCLE	Sequential
PRESSURE RANGE	30-80 mmHg
SIZE	10.2x5.1x3.9 inches
WEIGHT	5.1 lb.
ELECTRICAL	115V, ~50/60Hz.

Lympha Press USA Ltd.
230 Park Avenue
Manalapan, NJ 07726
Tel: 1-888-LYMPHA-1
1-888-596742-1
732-792-9677
Fax: 732-851-6638
info@lymphapress.com
www.lymphapress.com